

GENERAL NOTES

A GENERAL

A1 AS-BUILT VERIFICATION

CONTRACT DOCUMENTS THAT DESCRIBE EXISTING CONDITIONS ARE BASED ON FIELD OBSERVATIONS AND ARE NOT BASED ON EXTENSIVE FIELD MEASUREMENT. OPENING OF CONCEALED CONDITIONS OR EXCAVATION OF BURIED ITEMS. THE STRUCTURAL ENGINEER OF RECORD DOES NOT WARRANT THEM TO BE WITHOUT ERROR. THESE PORTIONS OF THE DRAWINGS ARE INTENDED AS A GUIDE TO THE CONTRACTOR WHO SHALL VERIFY ACTUAL CONDITIONS AT THE JOB SITE.

A2 DIMENSIONS

THE CONTRACTOR SHALL VERIFY ALL DIMENSIONS AND ELEVATIONS, BOTH FOR THIS WORK AND FOR ALL EXISTING CONDITIONS WHICH EFFECT THIS WORK, PRIOR TO THE START OF WORK AND IT SHALL BE HIS RESPONSIBILITY TO IMMEDIATELY NOTIFY THE STRUCTURAL ENGINEER OF RECORD SHOULD ANY DISCREPANCIES EXIST.

A3 ERECTION BRACING

THE CONTRACTOR SHALL PROVIDE AND MAINTAIN ADEQUATE ERECTION BRACING AS REQUIRED FOR THE STABILITY OF THE STRUCTURE AND ITS STRUCTURAL COMPONENTS DURING ALL PHASES OF CONSTRUCTION.

A4 SHOP DRAWINGS

SHOP DRAWINGS (2 REPRODUCIBLE PRINTS) SHALL BE SUBMITTED TO THE STRUCTURAL ENGINEER OF RECORD FOR REVIEW AFTER THE CONTRACTOR HAS REVIEWED AND STAMPED SAME FOR COMPLIANCE AND PRIOR TO FABRICATION FOR THE FOLLOWING ITEMS:

1. CONCRETE AND MASONRY REINFORCEMENT
2. STRUCTURAL STEEL AND ALUMINUM

A5 SPECIAL INSPECTIONS

IN ADDITION TO THE INSPECTIONS REQUIRED BY IBC SECTION 109, THE OWNER SHALL EMPLOY ONE OR MORE SPECIAL INSPECTORS WHO SHALL PROVIDE INSPECTIONS DURING CONSTRUCTION ON THE FOLLOWING WORK:

1. SUBGRADE PREPARATION AND BACKFILL PLACEMENT
2. STRUCTURAL STEEL PER IBC SECTION 1704.3 AND TABLE 1704.3
3. CONCRETE PER IBC SECTION 1704.4 AND TABLE 1704.4
4. ENGINEERED MASONRY PER IBC SECTION 1704.5 AND TABLE 1704.5.1
5. EPOXY ANCHOR INSTALLATION PER APPLICABLE ICC ESR REPORT.

B STRUCTURAL DESIGN

B1 BUILDING CODE

ALL CONSTRUCTION SHALL BE IN ACCORDANCE WITH THE 2003 EDITION OF THE INTERNATIONAL BUILDING CODE (IBC) AS AMENDED AND ADOPTED BY THE CITY OF ENTIAI.

B2 DESIGN LOADS

SNOW LOAD
35 PSF, $s_s = 1.1$
WIND LOAD
85 MPH, EXPOSURE C, $w = 1.15$
SEISMIC LOAD
 $Sds = 0.467$, $Is = 1.25$

B3 FOUNDATIONS

SUBGRADE PREPARATION AND BACKFILL REQUIREMENTS SHALL BE AS SPECIFIED IN THE PROJECT GEOTECHNICAL REPORT, CITY OF ENTIAI WWP/ SBR BASINS, PREPARED BY HAMMOND COLLIER, PROJECT NO. 05-23-004.03, DATED DECEMBER 2005. DESIGN ALLOWABLE BEARING PRESSURE = 4,000 PSF (SBR BASINS), 2,000 PSF REMAIN.

C CONCRETE

C1 APPLICABLE CODES

CONCRETE CONSTRUCTION SHALL CONFORM TO THE 2005 EDITION OF THE ACI BUILDING CODE REQUIREMENTS FOR STRUCTURAL CONCRETE (ACI 318-05). MIX PROPORTIONING SHALL BE PER ACI 301.

C2 REINFORCING STEEL DETAILING

DETAILS AND DETAILING OF CONCRETE REINFORCEMENT SHALL BE IN CONFORMANCE WITH ACI 315.

C3 MATERIALS

$f'_c = 4,000$ PSI, NOT LESS THAN 5.5 SACKS CEMENT PER CUBIC YARD. REINFORCEMENT: GRADE 60, $F_y = 60,000$ PSI PER ASTM A615.

C4 CONCRETE COVER

ALL CONCRETE SHALL BE PROVIDED MINIMUM COVER AS FOLLOWS:

FOOTINGS AND UNFORMED SURFACES - 3". FORMED SURFACES EXPOSED TO EARTH, WEATHER, OR IN CONTACT WITH LIQUIDS - 2".

C5 REINFORCING STEEL LAP SPLICES

SPLICES OF REINFORCING STEEL BARS SHALL BE IN ACCORDANCE WITH ACI 318 AND SHALL BE CLASS B UNLESS OTHERWISE NOTED. STAGGER LAPS OF ADJACENT BARS ONE LAP LENGTH. THE LAP SPlice LENGTH OF BARS OF DIFFERENT DIAMETERS MAY BE BASED ON THE SMALLER DIAMETER BAR.

C6 FINISH

ALL EXPOSED CONCRETE SHALL BE SACK FINISHED. CHAMFER ALL EXPOSED EDGES.

D REINFORCED MASONRY

D1 APPLICABLE CODES

REINFORCED MASONRY CONSTRUCTION SHALL CONFORM TO THE REQUIREMENTS OF ACI 530-02.

D2 MATERIALS

CONCRETE MASONRY UNITS: $f'_m = 1,500$ PSI, 8" UNITS, 115 PCF MAXIMUM DENSITY, GRADE N, TYPE I. ALL BLOCK SHALL CONTAIN AN INTEGRAL WATER REPELLENT ADMIXTURE.

MORTAR: TYPE S, MINIMUM COMPRESSIVE CUBE STRENGTH = 1,800 PSI. ALL MORTAR SHALL CONTAIN AN INTEGRAL WATER REPELLENT ADMIXTURE.

GROUT: $F_y = 2,000$ PSI. GROUT ALL CELLS CONTAINING REINFORCEMENT.

INSULATION: VERMICULITE LOOSE FILL INSULATION PER ASTM C 516, TYPE II, GRADE 2.

REINFORCEMENT: GRADE 60, $F_y = 60,000$ PSI PER ASTM A 615.

ANCHOR BOLTS: ASTM A 307, HEAVY HEX BOLTS.

D3 VERTICAL REINFORCEMENT

REINFORCE WALLS VERTICALLY WITH (1) $\#5 @ 32"$ O.C., (2) $\#5$ VERTICAL FULL HEIGHT AT CORNERS AND INTERSECTIONS, ADD (1) $\#5$ EA FACE AT OPENINGS AND DISCONTINUOUS ENDS. PROVIDE PREFABRICATED WIRE POSTERSION BOTTOM, TOP AND AT 192 BAR DIAMETERS TO POSITION VERTS. CENTER ALL VERTS UNLESS SPECIFICALLY NOTED OTHERWISE.

D4 HORIZONTAL REINFORCEMENT

REINFORCE WALLS HORIZONTALLY WITH (2) $\#5 @ 48"$ O.C. PLUS PROVIDE (2) $\#5$ CONTINUOUS TOP ALL WALLS. PROVIDE CORNER BARS TO MATCH HORIZONTAL WALL REINFORCEMENT AT CORNERS AND INTERSECTIONS. AT OPENINGS PROVIDE (2) $\#5$ TOP AND BOTTOM EXTENDING 2'-0" BEYOND OPENING EACH SIDE. HOOK WHERE FULL EXTENSION IS NOT AVAILABLE.

D5 REINFORCEMENT COVER

ALL REINFORCEMENT SHALL BE COMPLETELY EMBEDDED IN MORTAR OR GROUT WITH A MINIMUM COVER, INCLUDING THE MASONRY UNIT, OF AT LEAST $3/4"$, $1/2"$ WHEN EXPOSED TO WEATHER AND 2" WHEN EXPOSED TO SOIL.

D6 REINFORCING LAP SPLICES

LAP ALL REINFORCEMENT 48 DIAMETERS AT SPLICES. STAGGER LAPS OF ADJACENT BARS ONE LAP LENGTH.

D7 INSULATION

FILL ALL UNREINFORCED CELLS WITH LOOSE FILL INSULATION IN ACCORDANCE WITH MANUFACTURER'S RECOMMENDATIONS.

E STRUCTURAL STEEL

E1 APPLICABLE CODES

STEEL CONSTRUCTION SHALL CONFORM TO THE REQUIREMENTS OF THE AISC STEEL CONSTRUCTION MANUAL, 13TH EDITION.

E2 MATERIALS

W SHAPES: ASTM A992, $F_y = 50$ KSI

CHANNELS, ANGLES, BARS AND PLATES: ASTM A36, $F_y = 36$ KSI

CAST IN PLACE COLUMN ANCHOR BOLTS: ASTM F1554, GRADE 36

STRUCTURAL FRAMING BOLTS: ASTM A325 X

STRUCTURAL FRAMING BOLTS FOR ALUMINUM CONSTRUCTION: 3/4" STAINLESS STEEL ASTM F593 (ASTI 304/316)

WELDING ELECTRODES: E70XX

E3 BOLTED CONNECTIONS

ALL BEAM CONNECTIONS SHALL HAVE A MINIMUM OF (2) BOLTS. BOLTS SHALL BE SPACED AT A 4 DIAMETER PITCH WITH A MINIMUM EDGE DISTANCE OF 2 BOLT DIAMETERS. PROVIDE SHORT SLOTTED HOLES WHERE INDICATED.

E4 HOT-DIP GALVANIZING

ALL FRAMING SHALL BE HOT-DIPPED GALVANIZED AFTER FABRICATION.

F ALUMINUM

F1 APPLICABLE CODES:

ALUMINUM CONSTRUCTION SHALL CONFORM TO THE REQUIREMENTS OF THE ALUMINUM ASSOCIATION ALUMINUM DESIGN MANUAL SPECIFICATIONS AND GUIDELINES FOR ALUMINUM STRUCTURES, 2005 EDITION.

F2 MATERIALS

STRUCTURAL SHAPES, BARS, AND PLATES SHALL BE ALLOY 6061-T6.

GRATING: P-19-4 (1 1/4 x 3/16). FABRICATION AND INSTALLATION PER ANSI/AIAA/MAN METAL BAR GRATING MANUAL.

F3 PROTECTION OF ALUMINUM

PROVIDE PROTECTION FOR ALUMINUM IN CONTACT WITH WITH DISSIMILAR METALS AND CONCRETE AS SPECIFIED.

G WOOD FRAMING

G1 APPLICABLE CODES

WOOD FRAMING SHALL CONFORM TO THE REQUIREMENTS OF IBC CHAPTER 23.

G2 MATERIALS

LUMBER: ALL SAWN LUMBER SHALL BE GRADED AND MARKED IN CONFORMANCE WITH WCLB STANDARD GRADING RULES FOR WEST COAST LUMBER NO 16, LATEST EDITION, 19% MAXIMUM MOISTURE CONTENT AT INSTALLATION. METAL PLATE CONNECTORS: FASTENERS IN CONTACT WITH PT WOOD SHALL BE SIMPSON ZMAX OR EQUIVALENT.

SAWN LUMBER: DOUGLAS FIR #2

STRUCTURAL COMPOSITE LUMBER:

LVL: TRUSJOIST MACMILLAN 1.3E 1 1/4" TIMBERSTRAND RIM BOARD

PSL: TRUSJOIST MACMILLAN 1.9E MICROLAM

PSL: TRUSJOIST MACMILLAN 2.0E PARALLAM

PLYWOOD: ROOF SHEATHING 5/8" CDX, SPAN RATING 40/20

G3 FRAMING DETAILS

FRAMING DETAILS NOT OTHERWISE NOTED SHALL BE PER IBC CHAPTER 23. ALL BOLT HEADS BEARING AGAINST WOOD SHALL BE PROVIDED WITH STANDARD CUT WASHERS. ALL WOOD IN CONTACT WITH MASONRY OR CONCRETE SHALL BE PRESSURE TREATED. PLYWOOD SHALL BE LAD FACE GRAIN PERPENDICULAR TO SUPPORTS, STAGGERED PATTERN.

G4 NAILING

ALL NAILS ASSOCIATED WITH CONNECTION HARDWARE SHALL BE AS SPECIFIED BY THE CONNECTION HARDWARE MANUFACTURER. ONLY TWO TYPES ON NAILS ARE TO BE USED FOR THE REMAINDER OF THE WORK ON THIS PROJECT. ALL SHEATHING SHALL BE NAILED WITH 10d NAILS (2 3/8" x 0.148" DIAMETER) AND WILL BE SIMPLY NOTED AS "SHEATHING NAILS" - ABBREVIATED AS "SN". THE REMAINDER OF NAILS SHALL BE 16d BOX (3 1/2" x 0.131" DIAMETER) AND WILL BE NOTED SIMPLY AS "NAILS".

G5 CONNECTION HARDWARE

ALL MISCELLANEOUS PREFABRICATED CONNECTION HARDWARE IS IDENTIFIED BY CATALOG NUMBERS AS MANUFACTURED BY SIMPSON STRONG-TIE COMPANY, INC. REFER TO CATALOG C-2007. SIZE AND NUMBER OF NAILS SHALL BE (MAX) WHERE BOTH (MAX) AND (MIN) ARE SHOWN IN CATALOG. WHEN SPECIFIC NAILING IS SPECIFIED FOR CONNECTION HARDWARE, NAILS WILL BE SPECIFIED BY PENNY WEIGHT - REFER SOLELY TO THE MANUFACTURER'S CATALOG TO OBTAIN THE PROPER DIAMETER AND LENGTH. EQUIVALENT DEVICES BY OTHER MANUFACTURERS MAY BE SUBSTITUTED PROVIDED EQUIVALENCE HAS BEEN DEMONSTRATED BY ICC.

H EPOXY ANCHORS

H1 APPLICABLE REQUIREMENTS

ICC ESR-1682 (HILTI HIT RE 500 ADHESIVE ANCHOR SYSTEM), ICC ESR 1722 (SIMPSON SET ADHESIVE SYSTEMS). BOTH THE HILTI AND SIMPSON PRODUCT ARE ACCEPTABLE WHERE EPOXY ANCHORS ARE SPECIFIED.

H2 MATERIALS

THREADED RODS: A31 304 STAINLESS STEEL

ADHESIVE: PER ESR

H3 EMBEDMENT REQUIREMENTS

EMBED ALL EPOXYED THREADED RODS/REINFORCING BARS (Ø) DIAMETERS UNLESS SPECIFICALLY NOTED OTHERWISE.

I ABBREVIATIONS

AB ANCHOR BOLT

BLK BLOCKING

BN BOUNDARY NAIL

BRG BEARING

E EXISTING

MCJ MASONRY CONTROL JOINT

N NAIL

PLCS PLACES

PLYW PLYWOOD

SCJ SLAB CONTROL JOINT

SN SHEATHING NAIL



GENERAL NOTES

SHAPTON & PARTNERS, INC.
CONSULTING ENGINEERS

11430 Gravelly Lake Drive SW
Lakewood, WA 98499-1404

206-572-3722

Fax 572-1681

DESIGNED BY SHAPTON

DRAWN BY SHAPTON

CHECKED BY SHAPTON

DATE PRINTED 09/25/07

SCALE AS NOTED

F.B. NO.

SEATTLE
(206) 662-2664

WENATCHEE
(509) 662-3762

OMAK
(509) 826-8861

HAMMOND COLLIER
WADE LIVINGSTONE



CITY OF ENTIAI
2007 WATSEWATER TREATMENT
FACILITIES IMPROVEMENTS

BUILDING STRUCTURAL GENERAL NOTES

JOB NO.

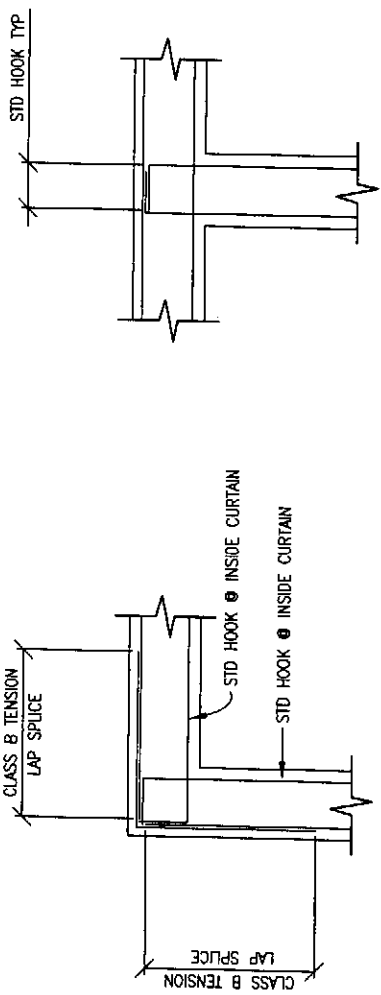
0523004-03

DRAWING NO.

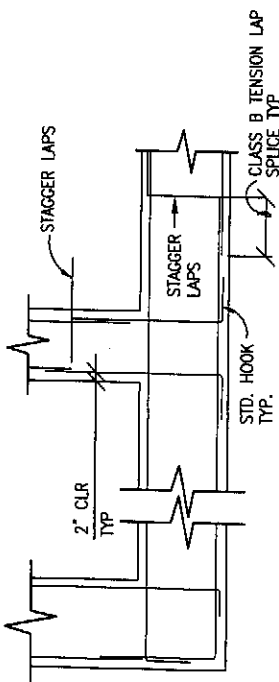
S1

SHEET

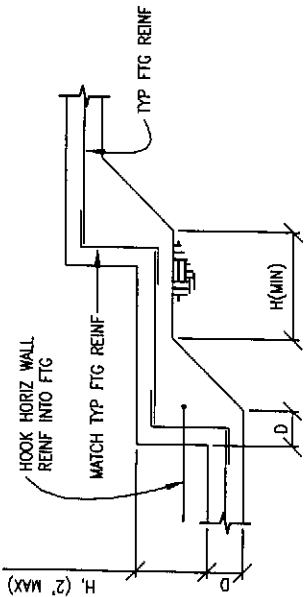
OF



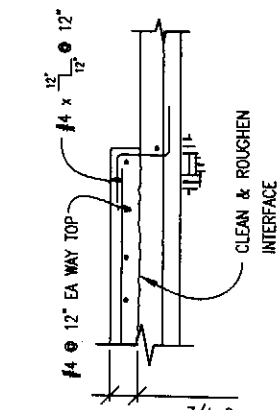
HORIZ WALL REINF @ WALL INTERSECTIONS (1) S2
NO SCALE



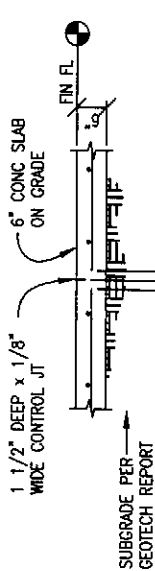
TYP FTG REINF PLACEMENT (4) S2
NO SCALE



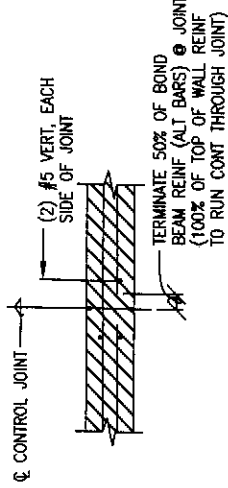
TYP STEPPED FTG (2) S2
NO SCALE



TYP EQUIP PAD (5) S2
NO SCALE

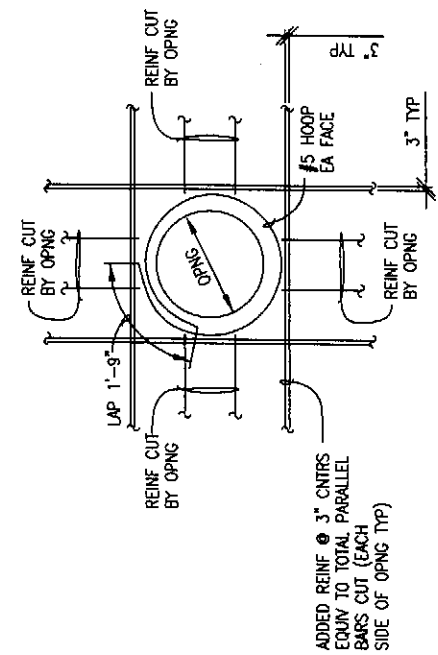


6" CONC SLAB CONTROL JT (7) S2
SCALE: 3/4" = 1'-0"



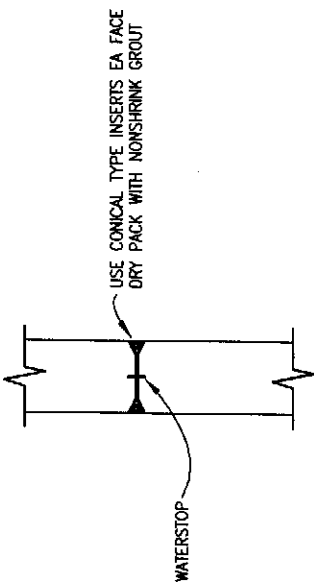
PLAN @ CMU CONTROL JOINT (8) S2
NO SCALE

NOTE: SEE FDN PLAN FOR LOCATIONS

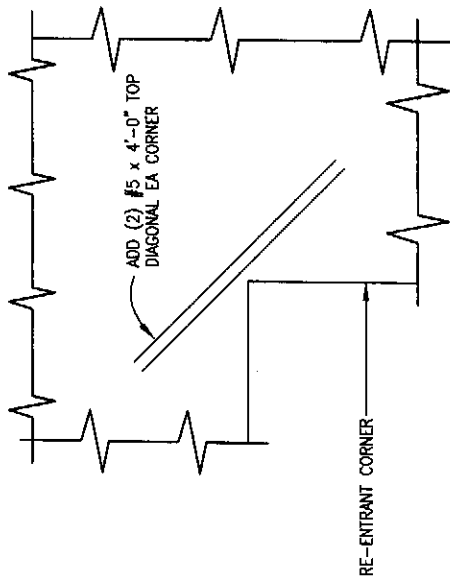


TYP REINF @ WALL OPENING (3) S2
NO SCALE

ADDED REINF @ 3" CNTRS EQUIV TO TOTAL PARALLEL BARS CUT (EACH SIDE OF OPNG TYP)



FORM SNAP TIE HOLE (6) S2
NO SCALE



ADDED SLAB REINFORCEMENT @ RE-ENTRANT CORNERS (9) S2
NO SCALE

REINF STEEL LAP SPLICES

SIZE	Ld	CLASS B SPLICE LENGTH	
		TOP BARS	OTHER BARS
#3	12"	14"	12"
#4	12"	19"	15"
#5	14"	24"	19"
#6	17"	29"	22"
#7	25"	42"	32"
#8	28"	46"	37"
#9	32"	54"	42"
#10	36"	61"	47"
#11	40"	68"	52"

- NOTES:
- SMALLEST SIDE COVER MEASURED TO THE CENTER OF BAR—2.5 BAR #'S MIN.
 - CENTER TO CENTER SPACING OF BARS = 5 #'S MIN.
 - HORIZ REINF SO PLACED THAT >12" OF FRESH CONC IS CAST IN THE MEMBER BELOW SHALL BE CONSIDERED TOP BARS.

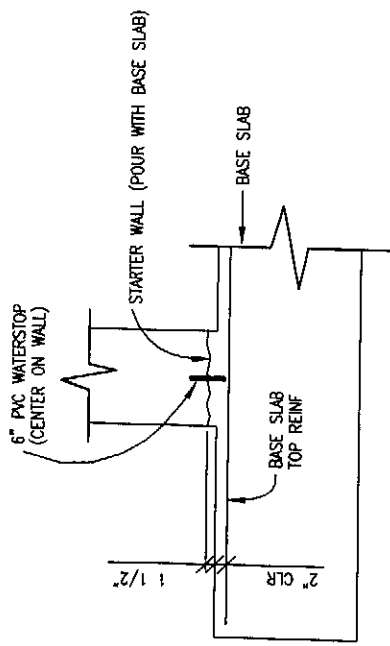


SHAPTON & PARTNERS, INC.
CONSULTING ENGINEERS
11430 Gravelly Lake Drive SW
Lakewood, WA 98499-1404
206-522-3722
Fax 522-1681

HAMMOND COLLIER
WADE LIVINGSTONE
SEATTLE (206) 682-2664
WENATCHEE (509) 682-1762
OMAX (509) 826-5861

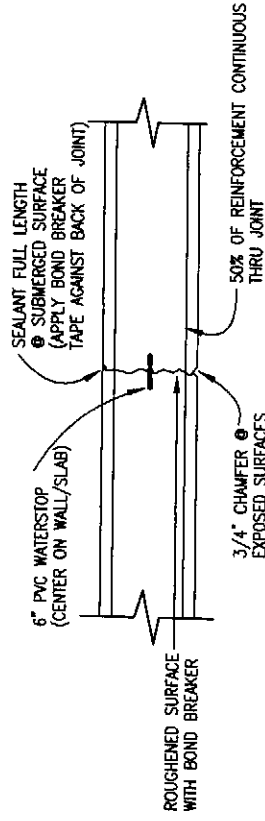
CITY ENTIAI
2007 WASTEWATER TREATMENT
FACILITIES IMPROVEMENTS
TYPICAL CONCRETE DETAILS

JOB NO. 0523004-03
DRAWING NO. S2
SHEET OF



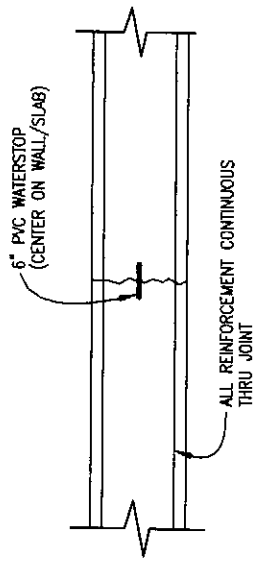
WATERSTOP @ WALL BASE
NO SCALE

1 S3



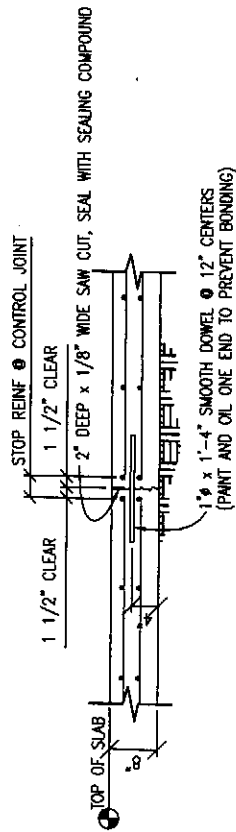
TYP WATERSTOP @ CONST/CONTROL JOINT
NO SCALE

4 S3



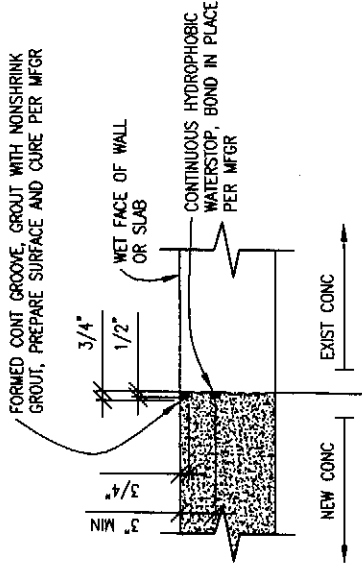
TYPICAL WATERSTOP @ CONST JOINT
NO SCALE

2 S3



CONTROL JOINT @ SLUDGE STORAGE
NO SCALE

5 S3



HYDROPHOBIC/GROOVE WATERSTOP
NO SCALE

3 S3



REVISIONS

GENERAL NOTES

SHAPTON & PARTNERS, INC.
CONSULTING ENGINEERS
11430 Gravelly Lake Drive SW
Lakewood, WA 98499-1404
206-522-3722
Fax 522-1681

DESIGNED BY SHAPTON
DRAWN BY
CHECKED BY SHAPTON
DATE PRINTED 08/25/07
SCALE AS NOTED
F.B. NO.

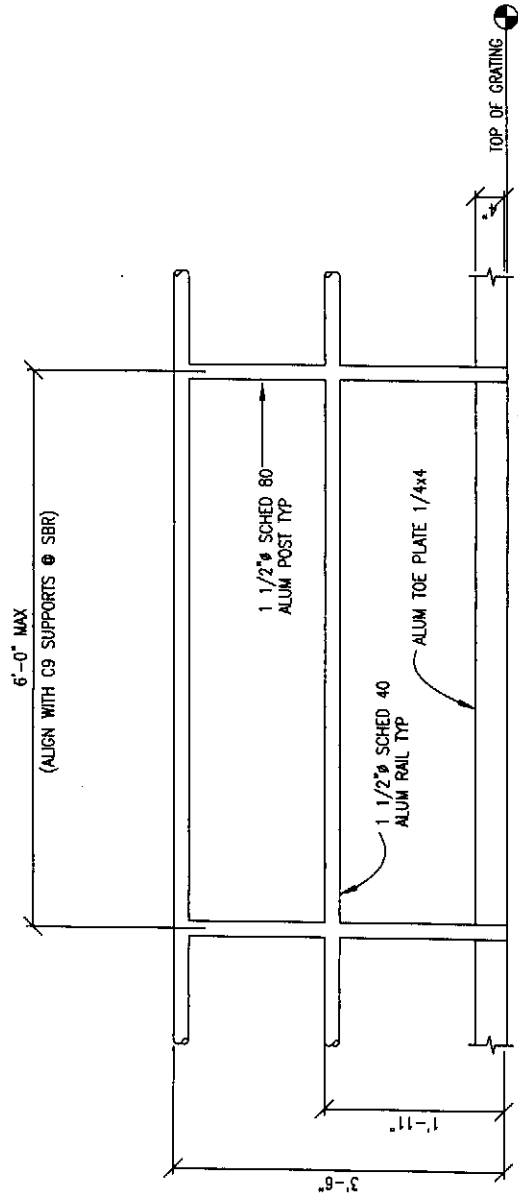
HAMMOND COLLIER
WADE LIVINGSTONE

SEATTLE (206) 652-2664
WENATCHEE (509) 652-1752
OMAK (509) 826-5861

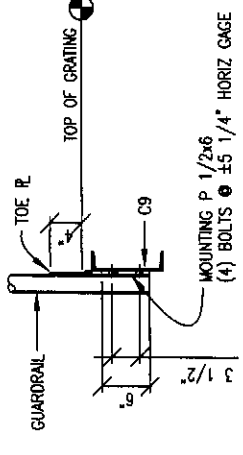
CITY ENTIAI
2007 WASTEWATER TREATMENT
FACILITIES IMPROVEMENTS

TYPICAL CONCRETE DETAILS

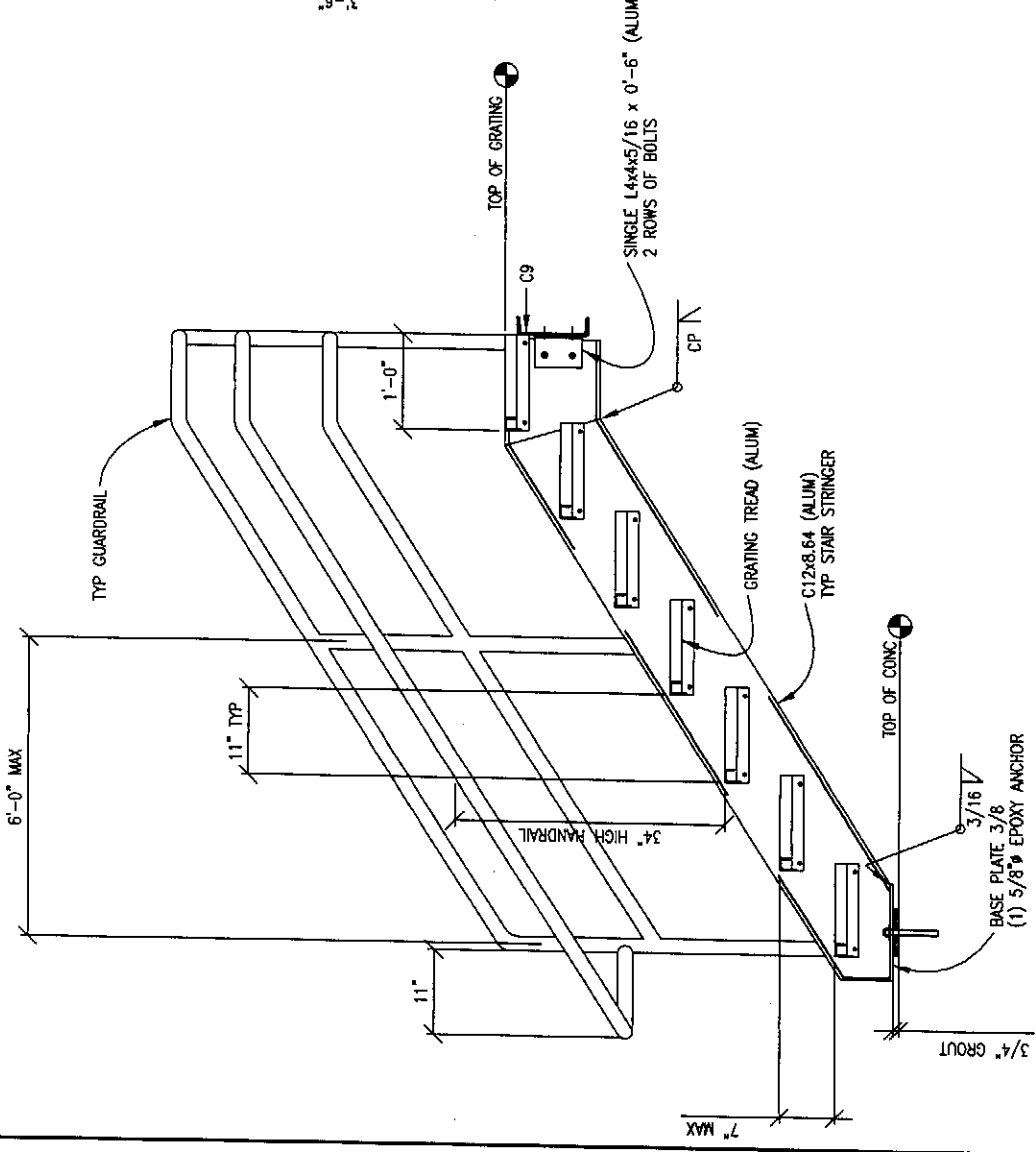
JOB NO. 0523004-03
DRAWING NO. S3
SHEET OF



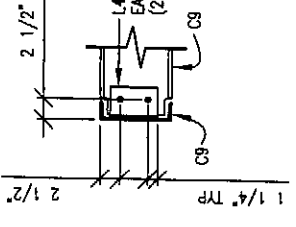
TYP ALUMINUM GUARDRAIL
SCALE: 1" = 1'-0"



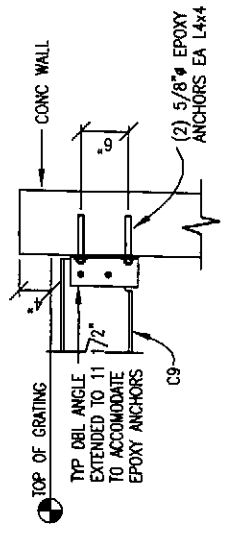
GUARDRAIL TO C9
SCALE: 1" = 1'-0"



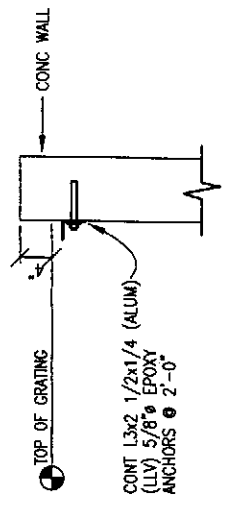
TYPICAL ALUMINUM STAIR
SCALE: 1" = 1'-0"



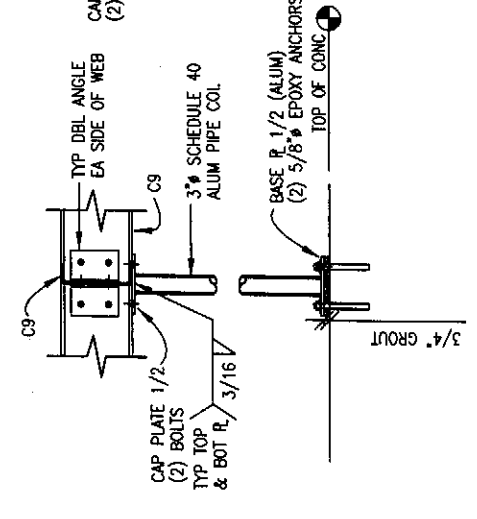
TYP C9 TO C9 CONN
SCALE: 1" = 1'-0"



TYP C9 TO CONC WALL
SCALE: 1" = 1'-0"



GRATING TO CONC WALL
SCALE: 1" = 1'-0"



C9 TO C9 & COL BASE DETAILS
SCALE: 1" = 1'-0"

\\FS1V01\Projects\05\0523000\0523004-03\FOR\ENR\STRUCTURAL DWGS-08-29-07\09_29_07_S4.DWG



GENERAL NOTES
SHAPTON & PARTNERS, INC.
CONSULTING ENGINEERS
11430 Crowley Lake Drive SW
Lakewood, WA 98499-1404
206-522-3722
Fax 522-1681

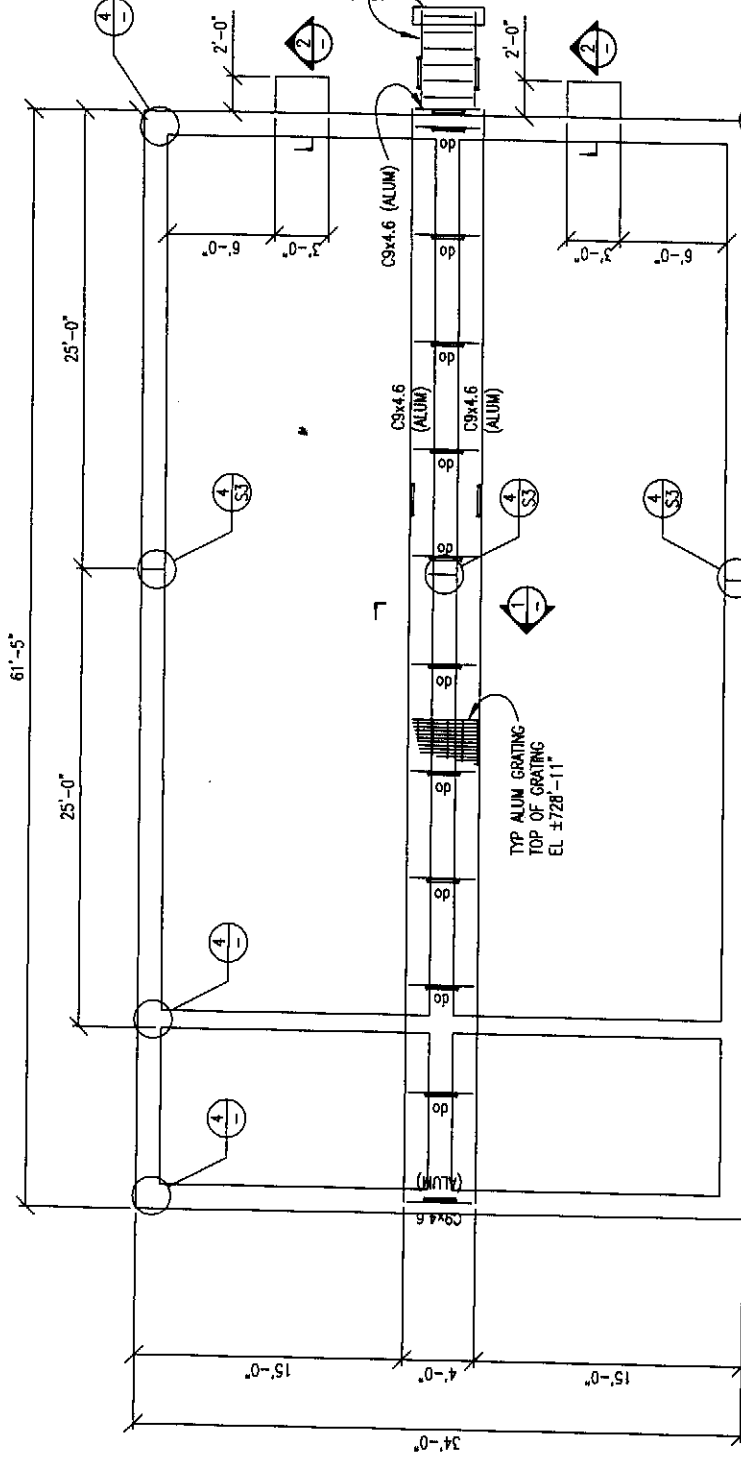
REVISIONS
DESIGNED BY SHAPTON
DRAWN BY SHAPTON
CHECKED BY SHAPTON
DATE PRINTED 09/25/07
SCALE AS NOTED
F.B. NO.



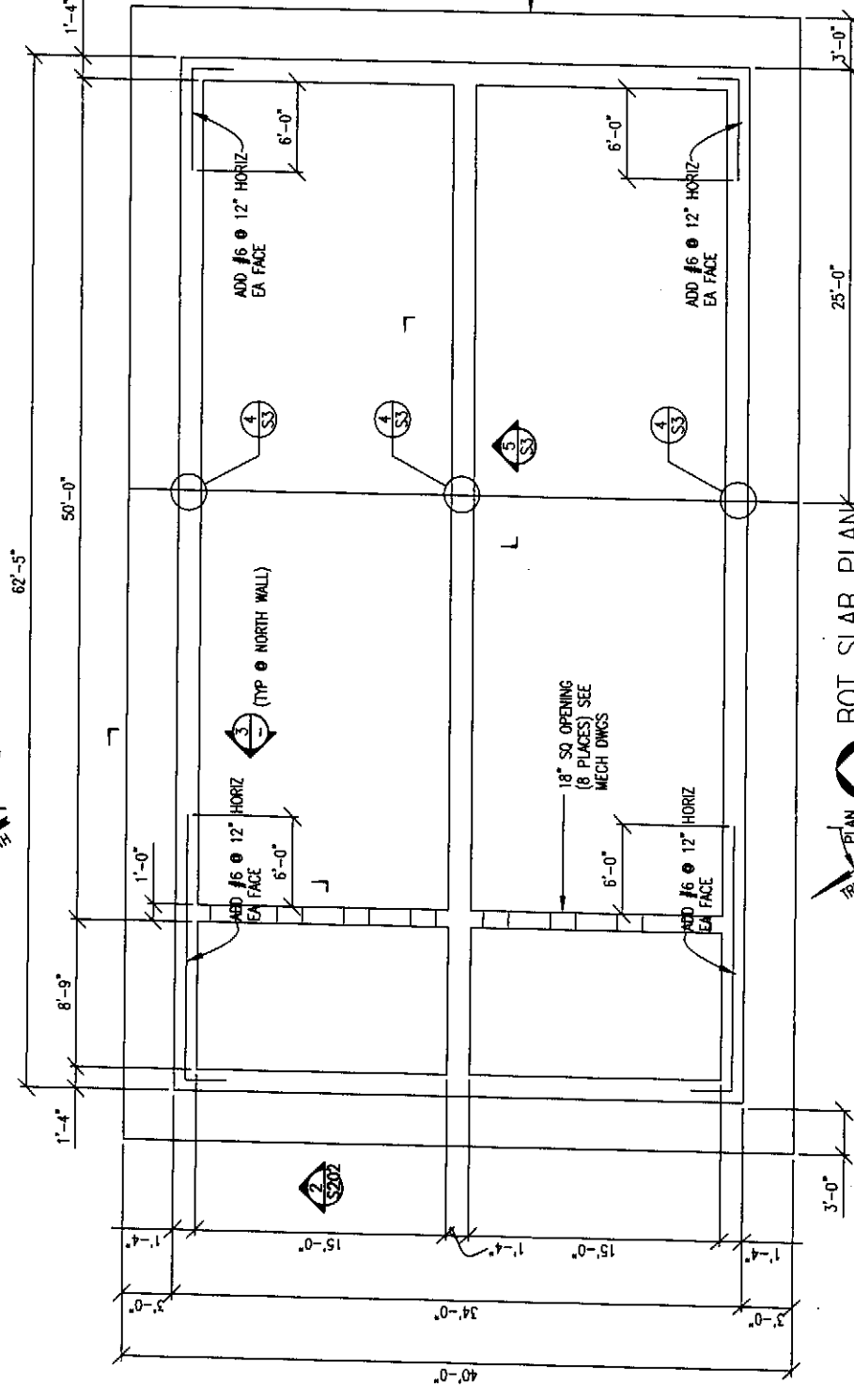
HAMMOND COLLIER
WADE LIVINGSTONE
SEATTLE (206) 632-2664
WENATCHEE (509) 662-1782
OMAX (509) 826-5961

CITY ENTIAI
2007 WASTEWATER TREATMENT
FACILITIES IMPROVEMENTS
TYPICAL ALUMINUM DETAILS

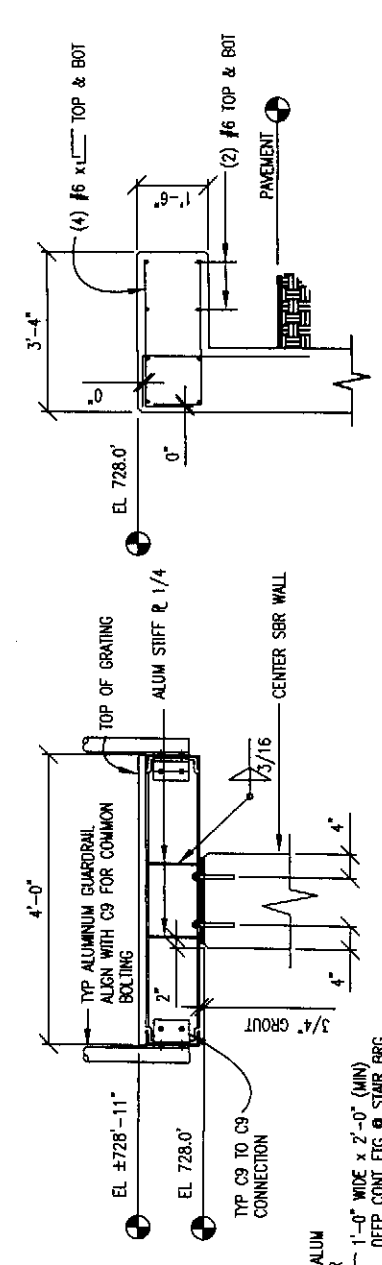
JOB NO. 0523004-03
DRAWING NO. S4
SHEET 05



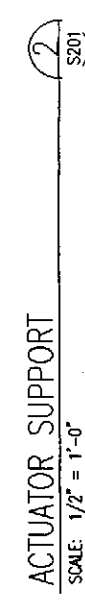
TOP OF TANK PLAN
SCALE: 3/16" = 1'-0"
PLAN NORTH
TRUE NORTH



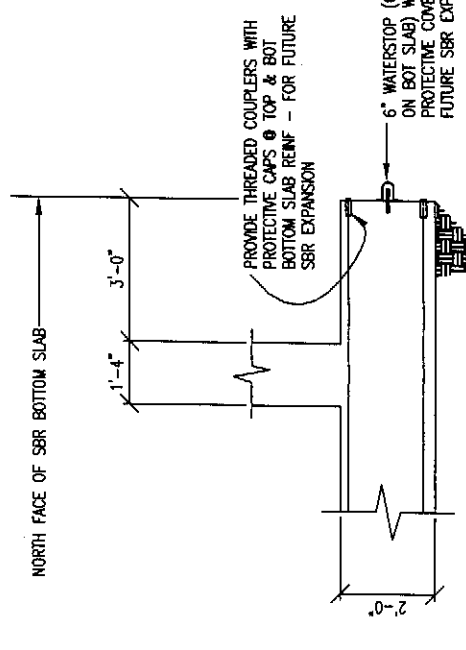
BOT SLAB PLAN
SCALE: 3/16" = 1'-0"
PLAN NORTH
TRUE NORTH



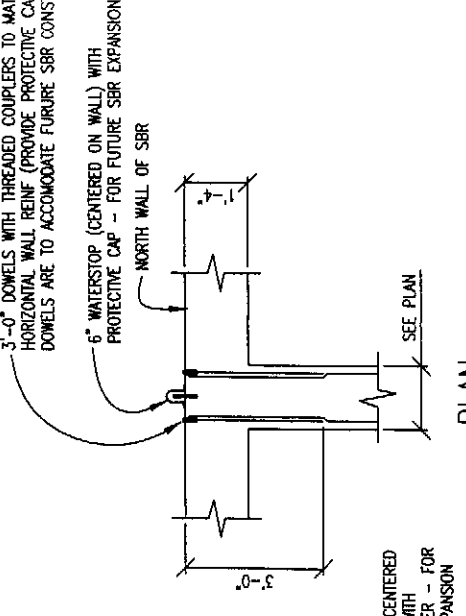
SECTION @ CATWALK
SCALE: 3/4" = 1'-0"
S201



ACTUATOR SUPPORT
SCALE: 1/2" = 1'-0"
S201



BOT SLAB WATERSTOP/REIN PROVISIONS AT FUTURE SBR CONSTRUCTION
SCALE: 1/2" = 1'-0"
S201



WALL WATERSTOP/REIN PROVISIONS AT FUTURE SBR CONSTRUCTION
SCALE: 1/2" = 1'-0"
S201

2'-0" DEEP BOTTOM SLAB
TOP OF SLAB EL. 711'
REINFORCE WITH #6 @ 12" EA WAY TOP
#9 @ 12" (NORTH/SOUTH DIRECTION) BOTTOM
#8 @ 12" (EAST/WEST DIRECTION) BOTTOM
PLACE NORTH/SOUTH TOP REIN FIRST
PLACE NORTH/SOUTH TOP REIN LAST

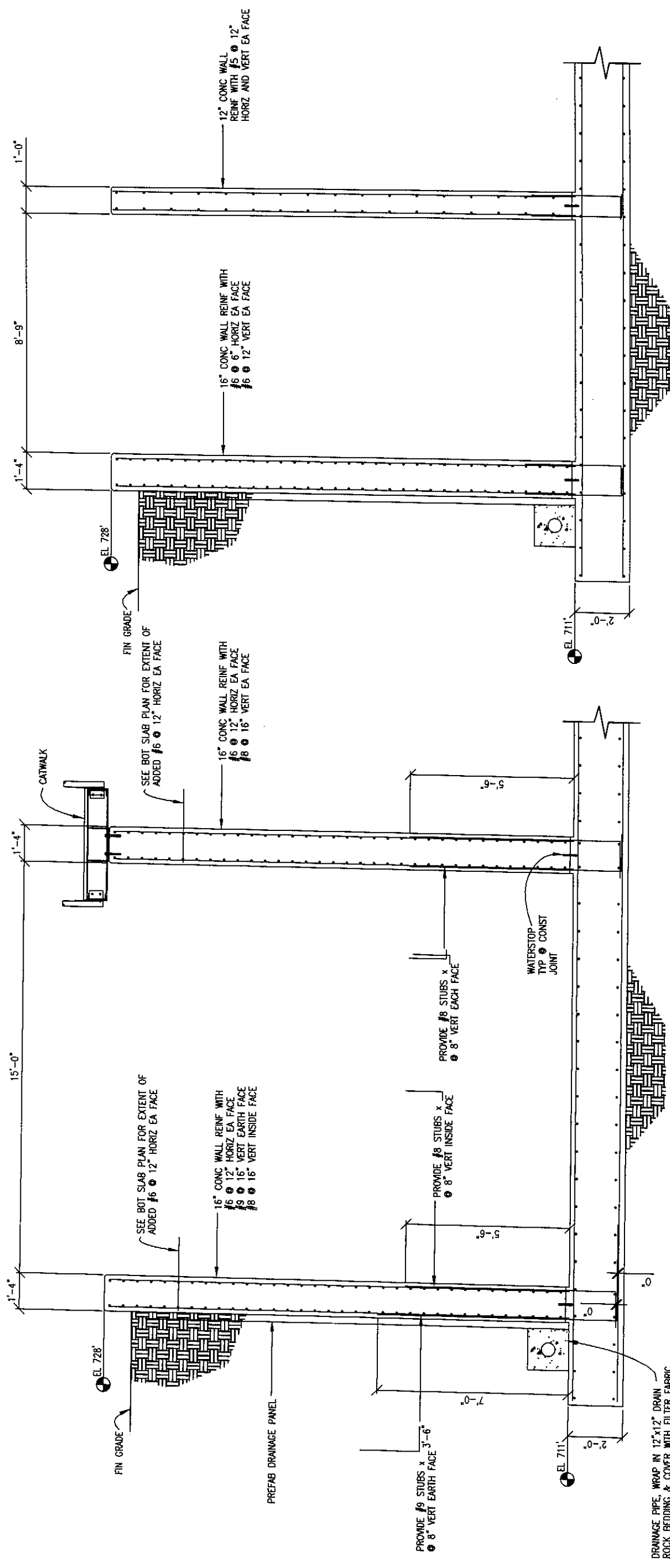


SHAPTON & PARTNERS, INC.
CONSULTING ENGINEERS
11430 Gravelly Lake Drive SW
Lakewood, WA 98499-1404
206-522-3722
Fax 522-1681

HAMMOND COLLIER WADE LIVINGSTONE
SEATTLE (206) 632-2664
WENATCHEE (509) 662-1762
OMAK (509) 826-8861

CITY OF ENTIAI
2007 WASTEWATER TREATMENT FACILITIES IMPROVEMENTS
SBR STRUCTURAL PLAN

JOB NO. 0523004-03
DRAWING NO. S201
SHEET 07



TRANSVERSE SECTION THU SBR BASIN
SCALE: 1" = 1'-0"
5/201

TRANSVERSE SECTION THU PRE-REACT ZONE
SCALE: 1/2" = 1'-0"
7/201



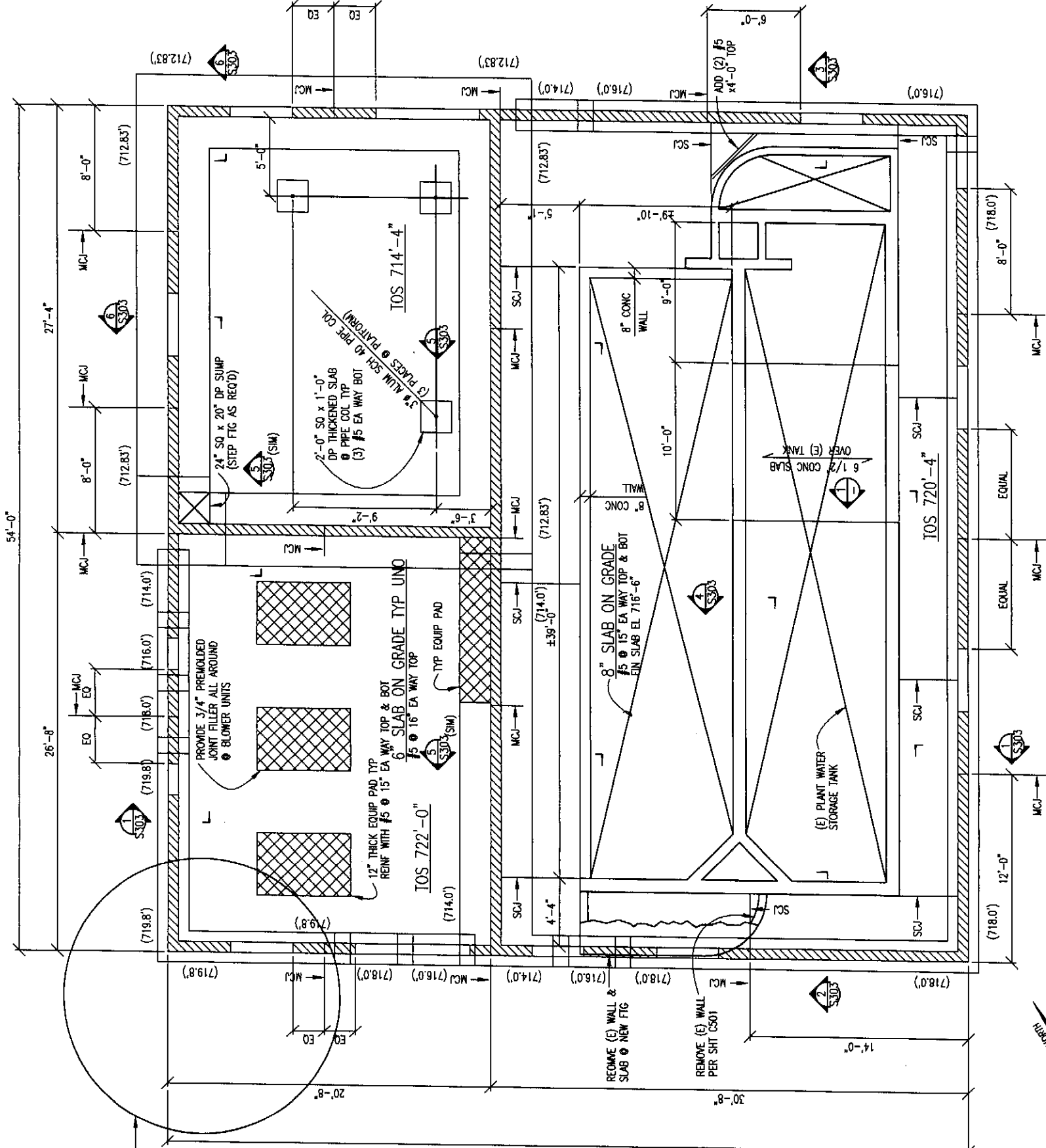
REVISIONS		GENERAL NOTES	
DESIGNED BY	SHAPTON	DESIGNED BY	SHAPTON
DRAWN BY		CHECKED BY	SHAPTON
APPROVED BY		DATE PRINTED	06/25/07
		SCALE	AS NOTED
		F.B. NO.	

SHAPTON & PARTNERS, INC.
CONSULTING ENGINEERS
11430 Gravelly Lake Drive SW
Lakewood, WA 98499-1404
206-522-3722
Fax 522-1681

HAMMOND COLLIER
WADE LIVINGSTONE
SEATTLE (206) 632-2664
WENATCHEE (509) 662-1762
OMAK (509) 826-5961

CITY ENTIAI
2007 WASTEWATER TREATMENT
FACILITIES IMPROVEMENTS
SBR STRUCTURAL SECTIONS

JOB NO. 0523004-03
DRAWING NO. S202
SHEET 07



FOUNDATION PLAN
 SCALE: 1/4" = 1'-0"
 PLAN NORTH
 THE NORTH

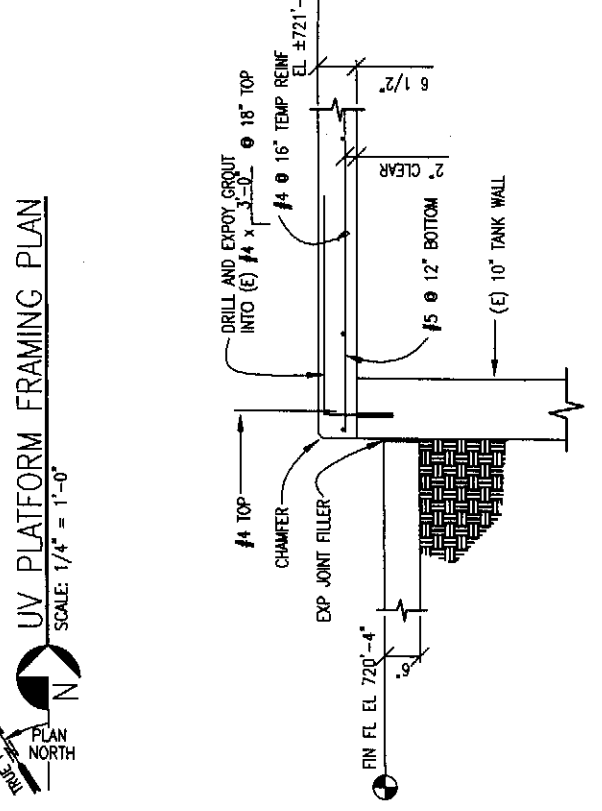
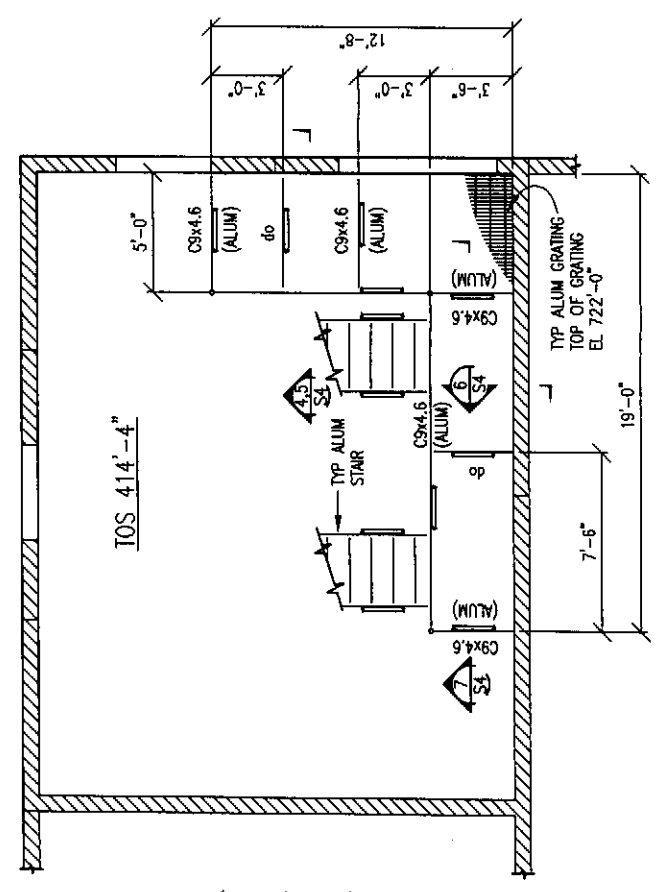
NOTE: ELEVATIONS SHOWN IN PARENTHESES () ARE TO BOTTOM OF FOOTING

SHAPTON & PARTNERS, INC.
 CONSULTING ENGINEERS
 11430 Granelly Lake Drive SW
 Lakewood, WA 98499-1404
 206-522-3722
 Fax 522-1661

HAMMOND COLLIER
WADE LIVINGSTONE
 WENATCHEE (509) 663-1762
 OMAK (509) 625-8661
 SKATTLER (206) 632-2664

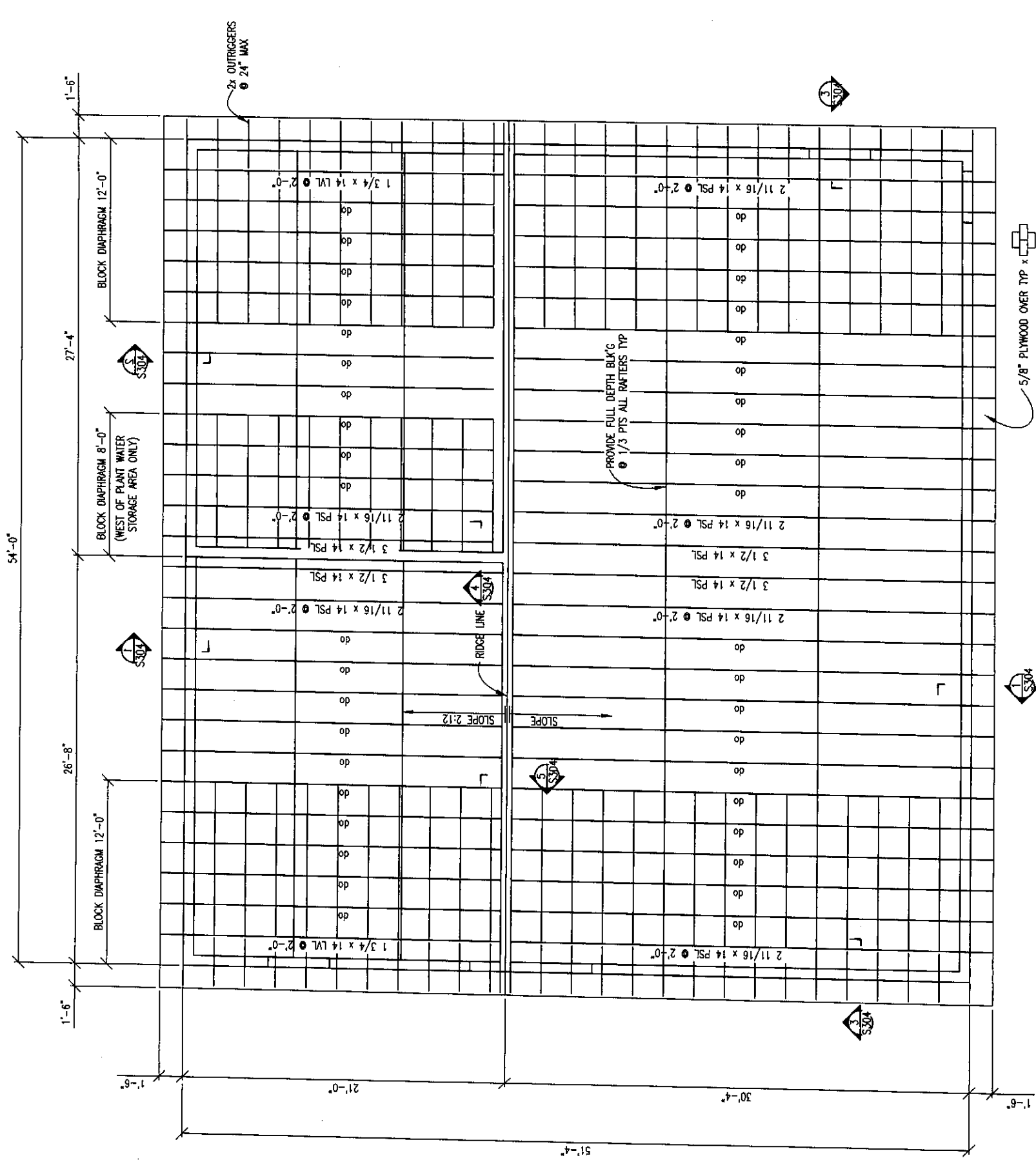
CITY OF ENTIAI
 2007 WASTEWATER TREATMENT
 FACILITIES IMPROVEMENTS
 BUILDING STRUCTURAL PLAN

JOB NO. 0523004-03
 DRAWING NO. S301
 SHEET OF



(E) CLARIFIER, REMOVE PRIOR TO CONSTRUCTING BLOWER AREA





ROOF FRAMING PLAN
SCALE: 1/4" = 1'-0"



REVISIONS

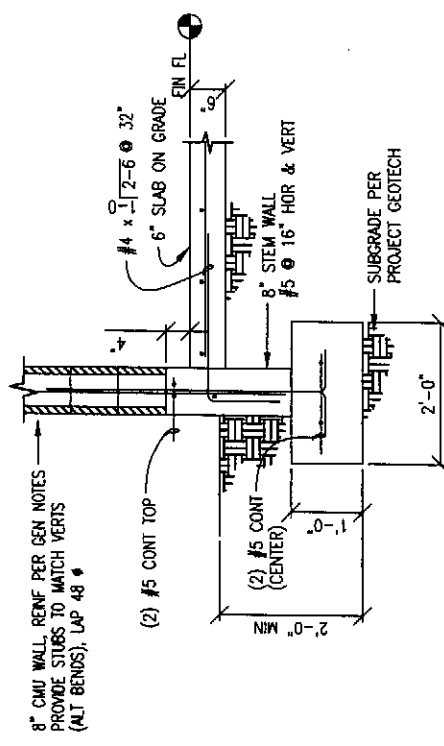
GENERAL NOTES
SHAPTON & PARTNERS, INC.
 CONSULTING ENGINEERS
 11430 Grovelly Lake Drive SW
 Lakewood, WA 98499-1404
 206-522-3722
 Fax 522-1881

DESIGNED BY: SHAPTON
 DRAWN BY:
 CHECKED BY:
 APPROVED BY: SHAPTON
 DATE PRINTED: 09/25/07
 SCALE: AS NOTED
 F.B. NO.:

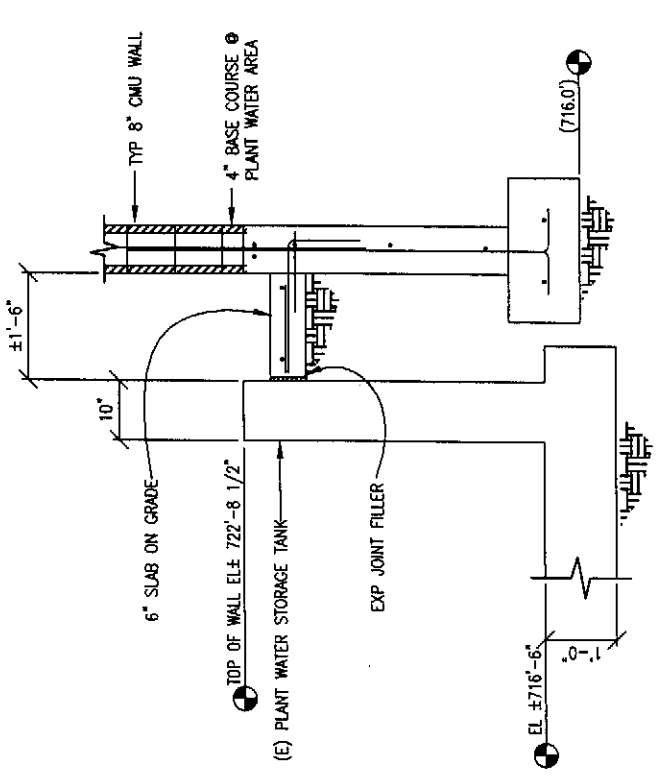
HAMMOND COLLIER
WADE LIVINGSTONE
 SEATTLE (206) 622-3664
 WENATCHEE (509) 662-1762
 OMAHA (609) 626-8661

CITY OF ENTIAI
 2007 WASTEWATER TREATMENT
 FACILITIES IMPROVEMENTS
 BUILDING STRUCTURAL PLAN

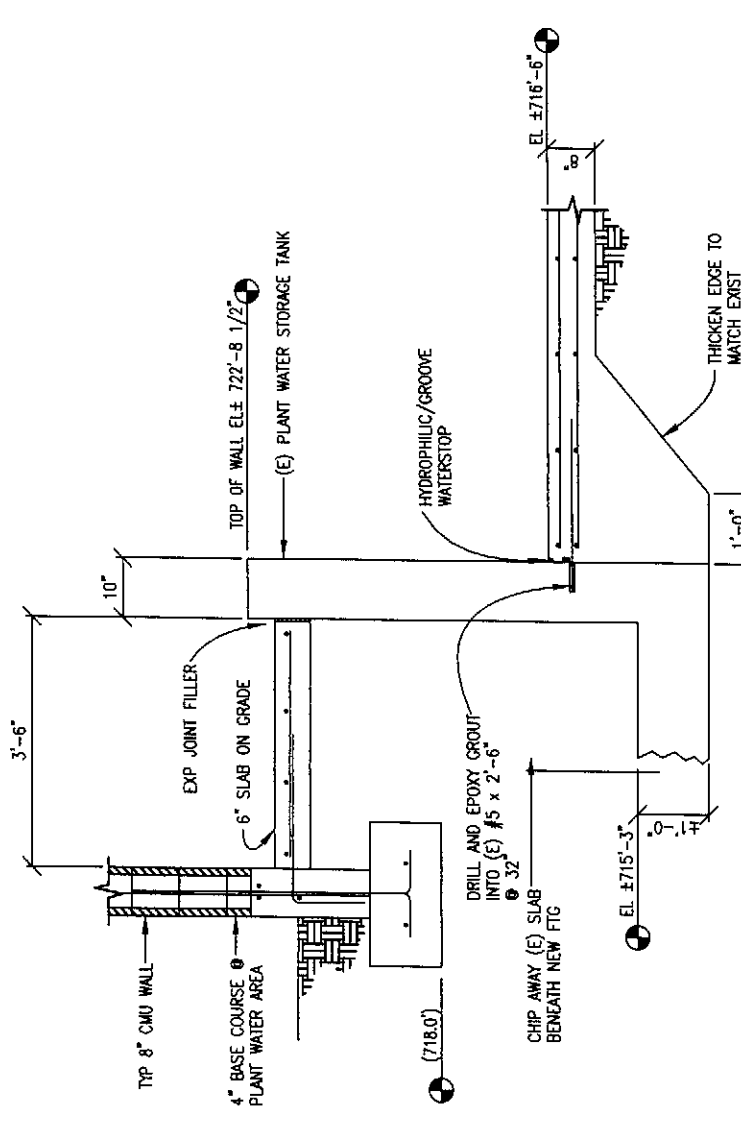
JOB NO. 0523004-03
 DRAWING NO. S302
 SHEET OF



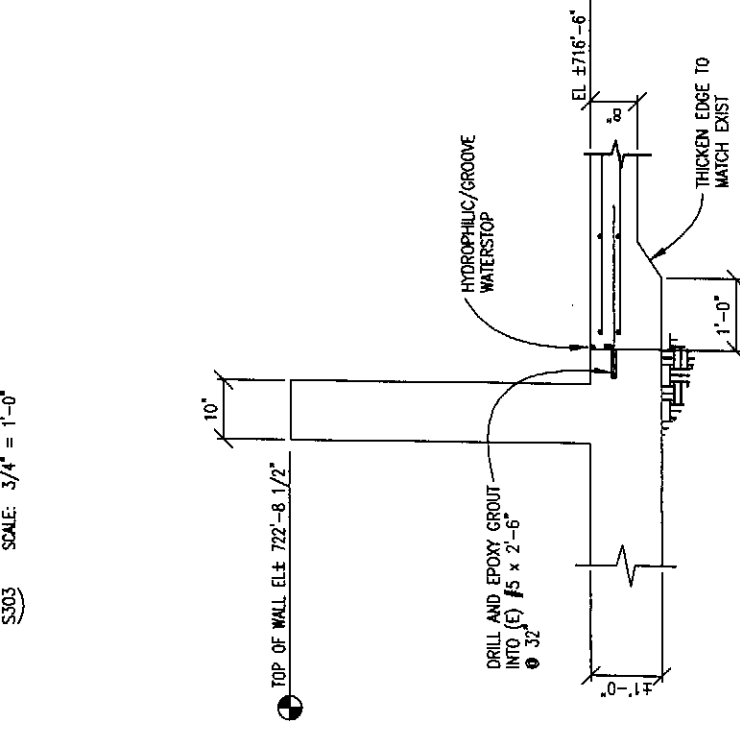
1 TYP EXTERIOR FTG
SCALE: 3/4" = 1'-0"



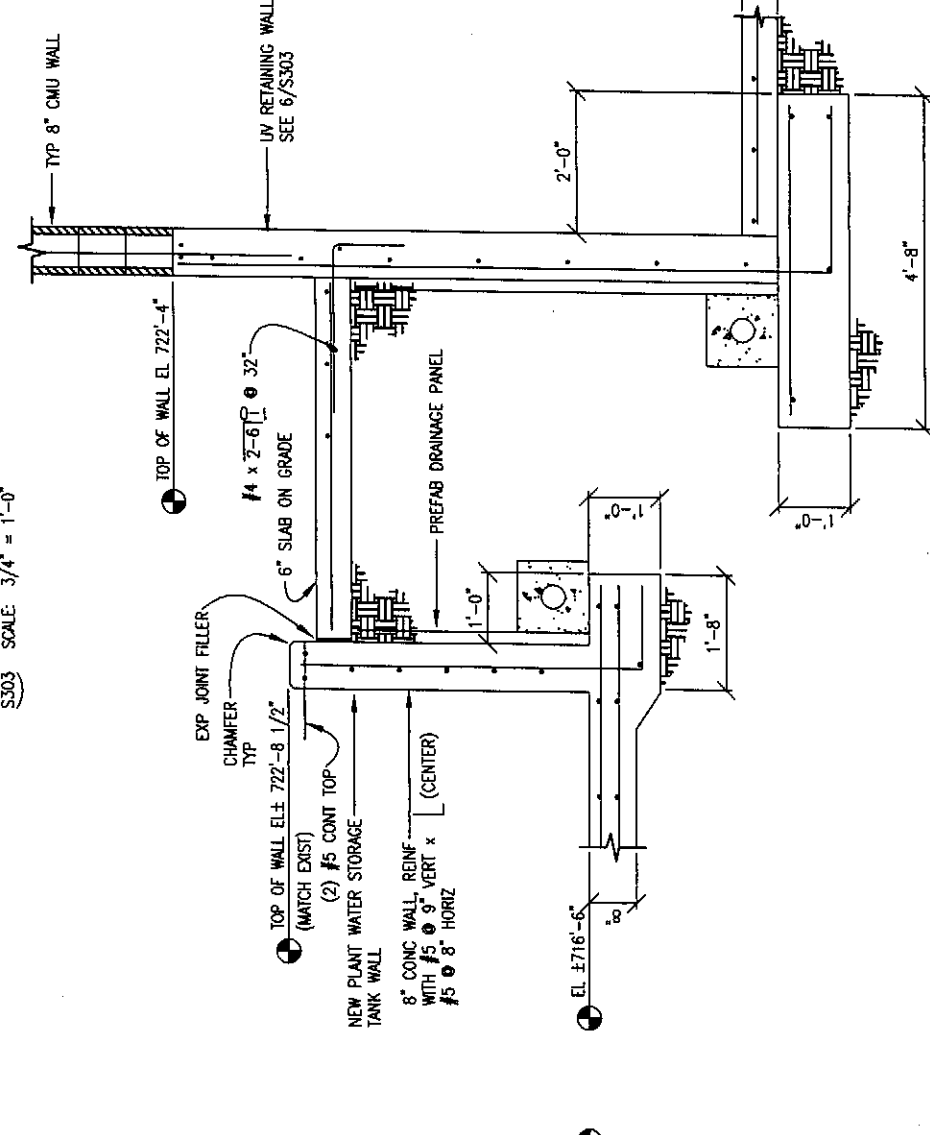
3 (E) STORAGE TANK @ NORTH WALL
SCALE: 3/4" = 1'-0"



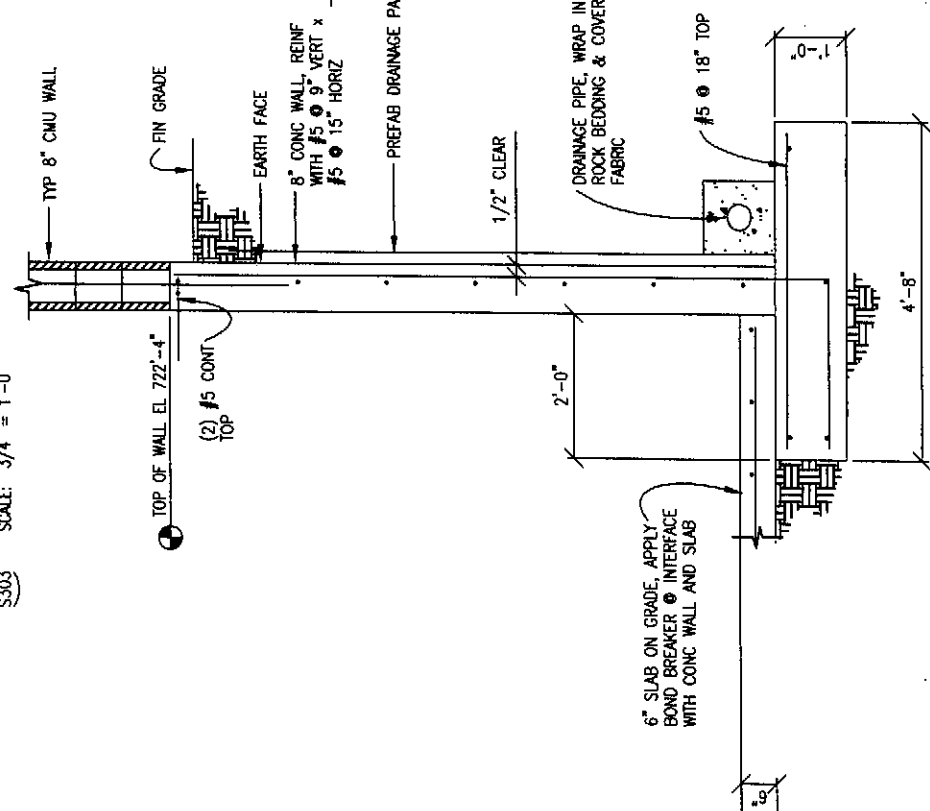
2 (E) STORAGE TANK @ SOUTH WALL
SCALE: 3/4" = 1'-0"



4 NEW STORAGE TANK TO EXIST
SCALE: 3/4" = 1'-0"



5 NEW STORAGE TANK @ UV RETAINING WALL
SCALE: 3/4" = 1'-0"



6 UV AREA RETAINING WALL
SCALE: 3/4" = 1'-0"



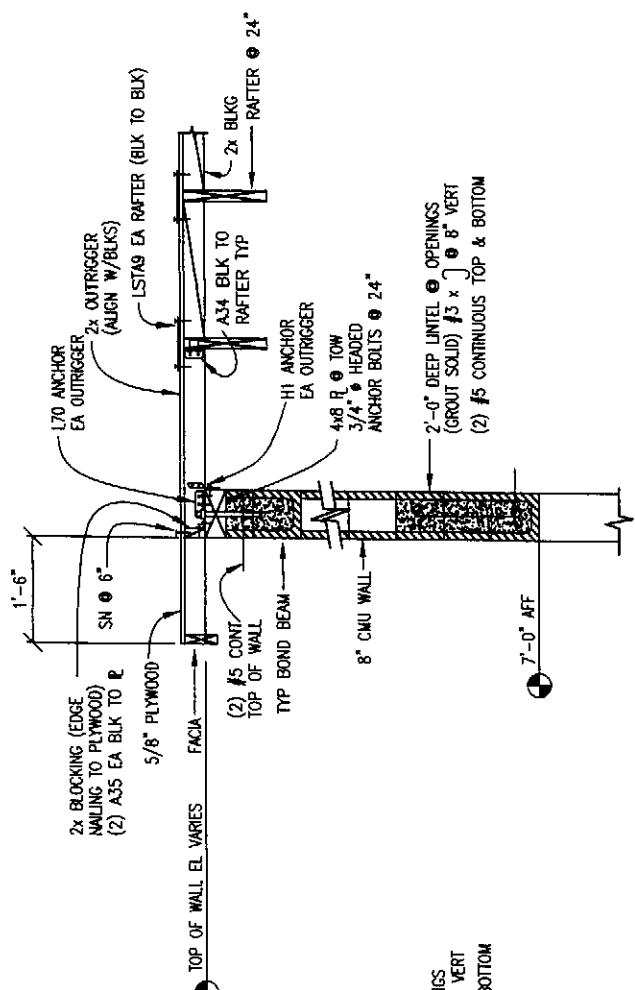
SHAPTON & PARTNERS, INC.
CONSULTING ENGINEERS
11430 Grovelly Lake Drive SW
Lakewood, WA 98499-1404
206-522-3722
Fax 522-1881

DESIGNED BY SHAPTON
DRAWN BY
CHECKED BY SHAPTON
APPROVED BY SHAPTON
DATE PRINTED 09/25/07
SCALE AS NOTED
F.R. NO.

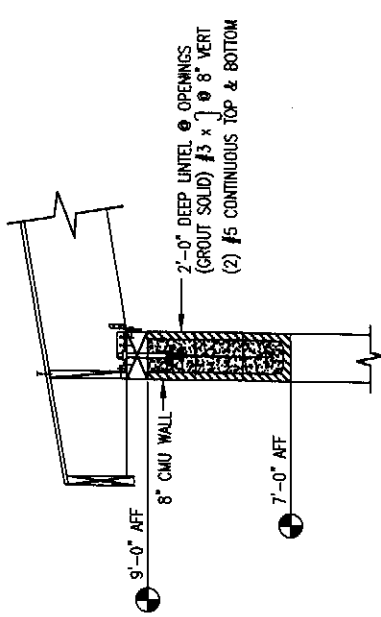
HAMMOND COLLIER
WADE LIVINGSTONE
SEATTLE WA (206) 632-2664
WINNAPOLIS (909) 662-1762
OMAK (909) 866-8861

CITY ENTIAI
2007 WASTEWATER TREATMENT FACILITIES IMPROVEMENTS
BUILDING STRUCTURAL DETAILS

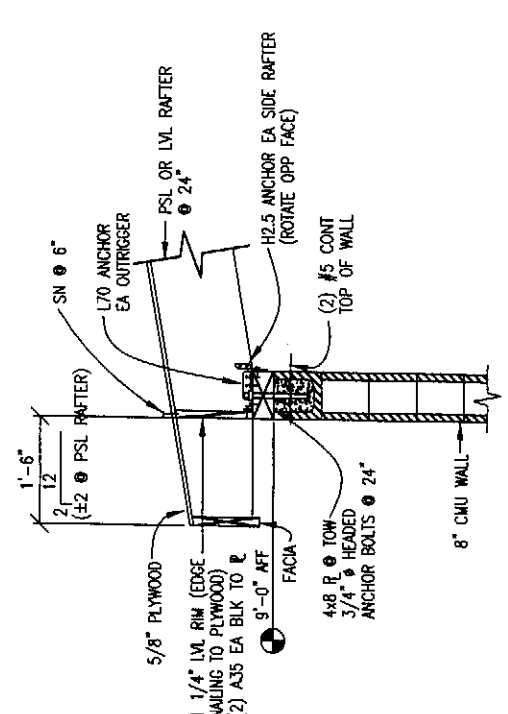
JOB NO. 0523004-03
DRAWING NO. S303
SHEET 07 OF



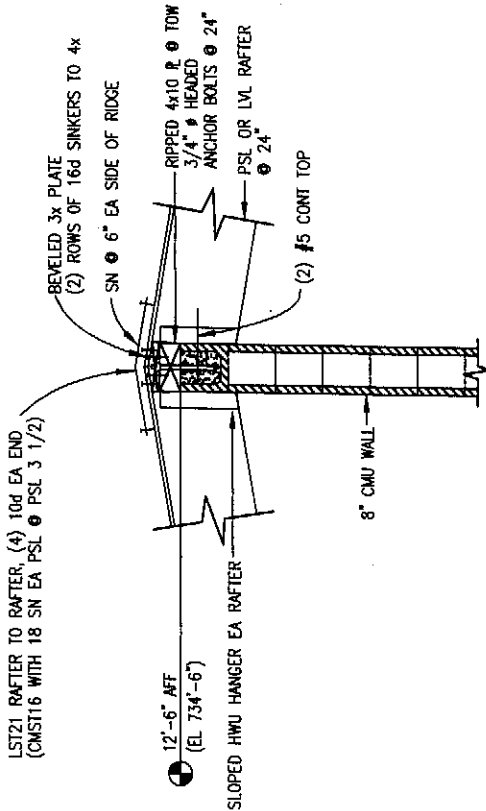
3 RAFTER PARALLEL TO WALL
SCALE: 3/4" = 1'-0"



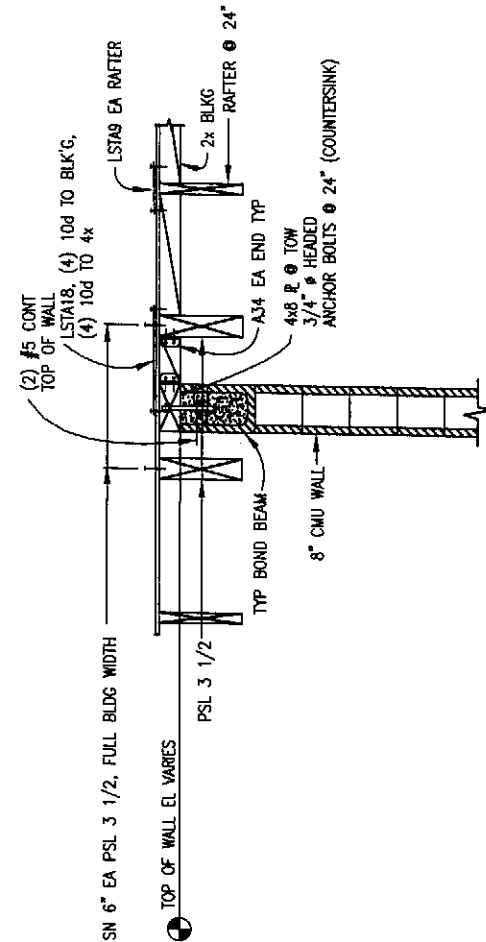
2 TYP. DOOR/WINDOW LINTEL
SCALE: 3/4" = 1'-0"



1 RAFTER TO EXT WALL
SCALE: 3/4" = 1'-0"



5 RIDGE DETAIL
SCALE: 3/4" = 1'-0"



4 RAFTER PARALLEL TO INT WALL
SCALE: 3/4" = 1'-0"



REVISIONS

GENERAL NOTES

DESIGNED BY SHAPTON
DRAWN BY SHAPTON
CHECKED BY SHAPTON
APPROVED BY SHAPTON
DATE PRINTED 08/25/07
SCALE AS NOTED
F.S. NO.

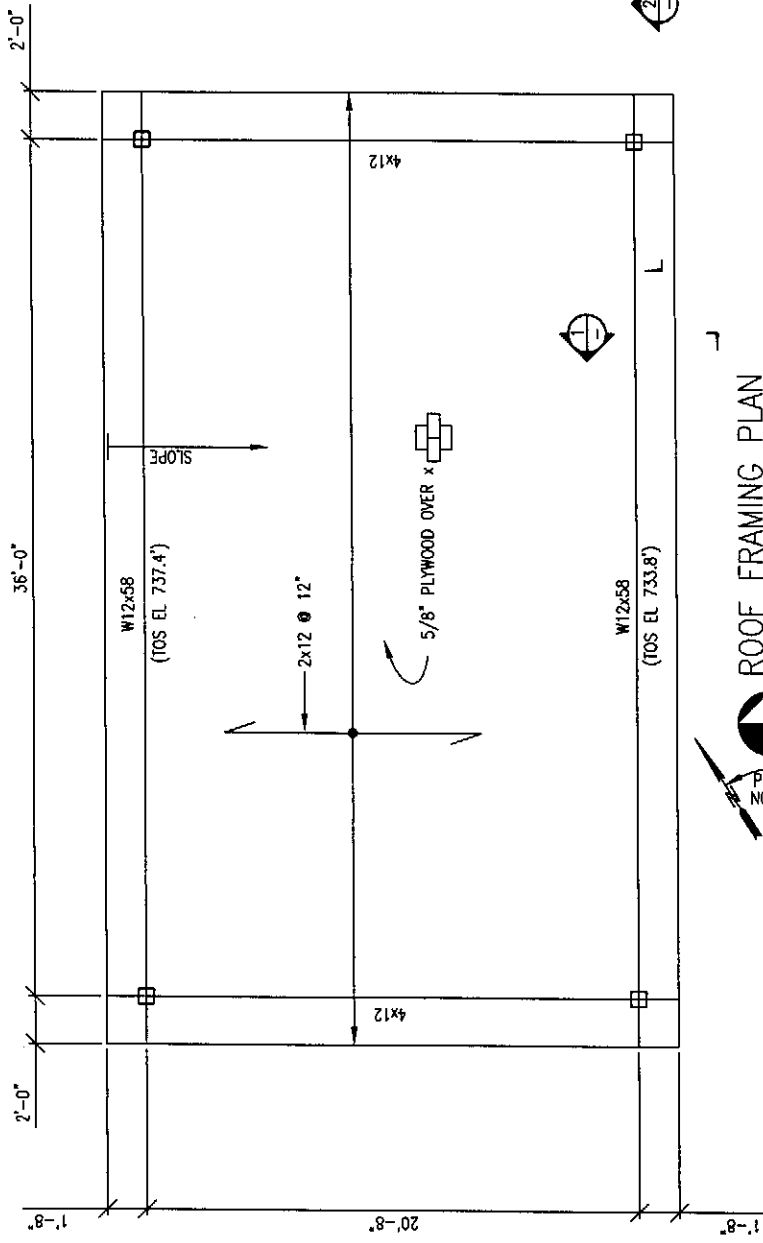
HAMMOND COLLIER
WADE LIVINGSTONE

SEATTLE (206) 632-2664
WENATCHEE (509) 662-1762
OMAK (509) 826-2863

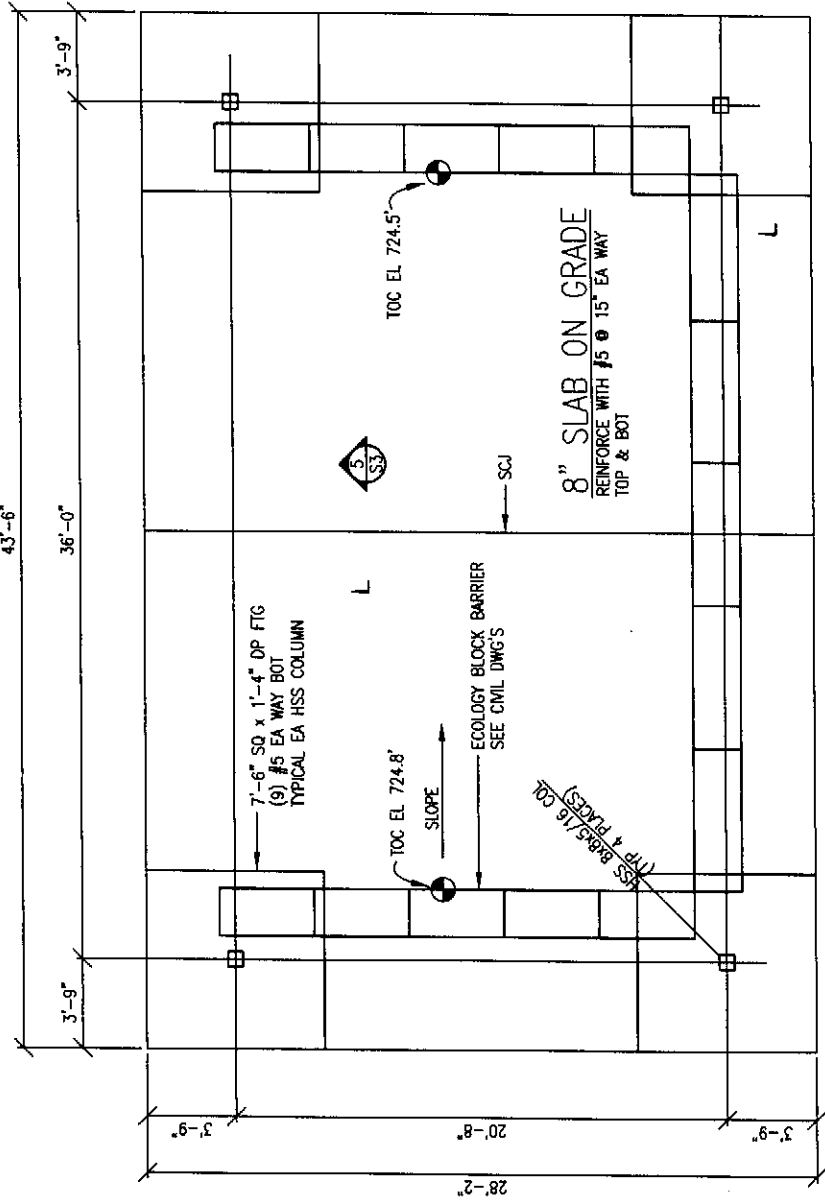
CITY ENTIAI
2007 WASTEWATER TREATMENT
FACILITIES IMPROVEMENTS

BUILDING STRUCTURAL DETAILS

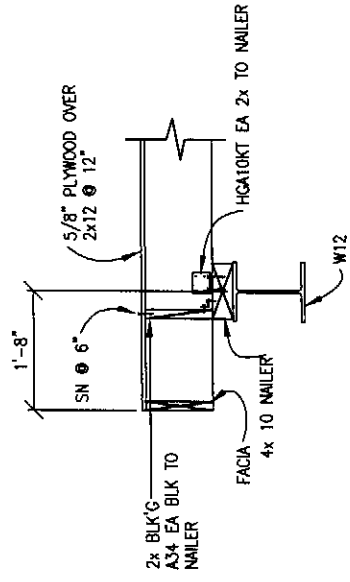
JOB NO. 0523004-03
DRAWING NO. S304
SHEET 07



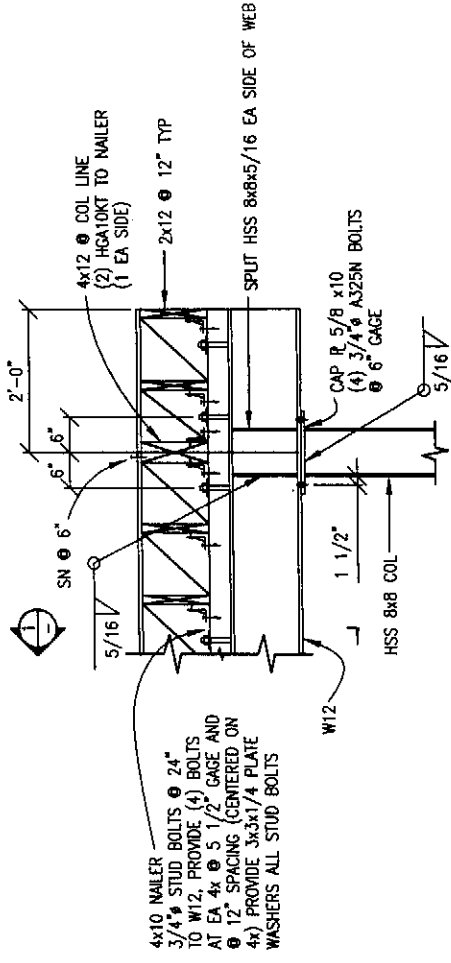
ROOF FRAMING PLAN
SCALE: 1/4" = 1'-0"



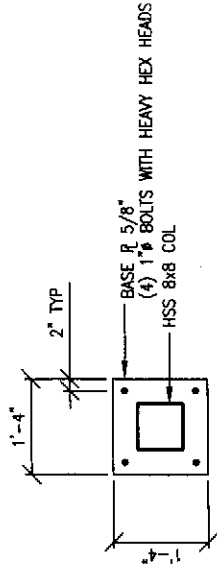
FOUNDATION PLAN
SCALE: 1/4" = 1'-0"



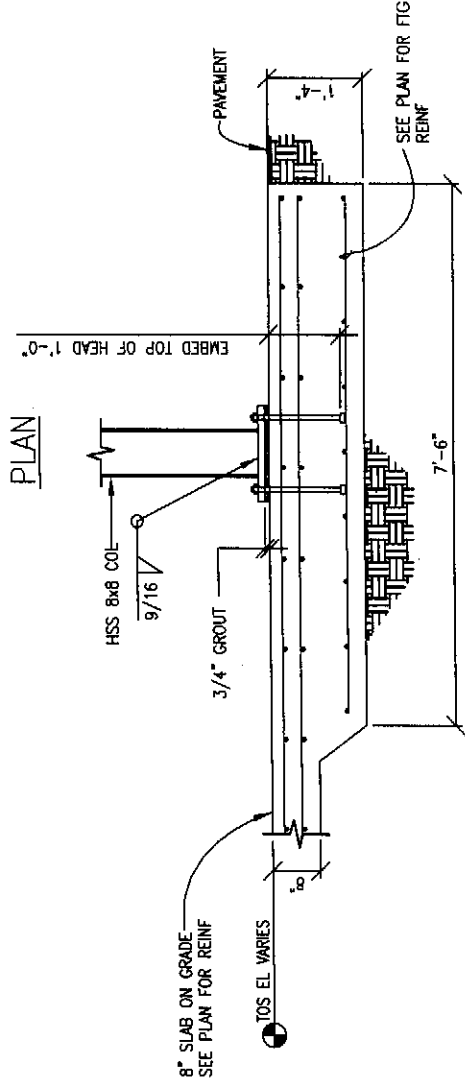
2x12 TO 4x NAILER
SCALE: 1" = 1'-0"



W12 TO HSS COL
SCALE: 1" = 1'-0"



PLAN



HSS COL BASE CONN
SCALE: 1" = 1'-0"



REVISIONS

GENERAL NOTES

SHAPTON & PARTNERS, INC.
CONSULTING ENGINEERS
11430 Gravelly Lake Drive SW
Lohewood, WA 98499-1404
206-522-3722
Fax 522-1881

DESIGNED BY SHAPTON

DRAWN BY

CHECKED BY SHAPTON

DATE PRINTED 09/25/07

SCALE AS NOTED

FR. NO.



HAMMOND COLLIER
WADE LIVINGSTONE

SEATTLE (206) 622-2664
WENATCHEE (509) 662-1782
OMAX (509) 826-5861

CITY ENTIAI
2007 WASTEWATER TREATMENT
FACILITIES IMPROVEMENTS

SLUDGE STORAGE AREA STRUCTURAL

JOB NO.

0523004-03

DRAWING NO.

S401

SHEET

OF